



**DENTIS** | [www.dentis.co.kr](http://www.dentis.co.kr)



Tel. +82-53-583-2804 | Fax. +82-53-583-2806  
99, Seongseoseo-Ro, Dalseo-Gu, Daegu, Korea



Tel. +1-323-677-4363 | Fax. +1-323-677-4366  
11095 Knott Ave. ABC, Cypress CA 90630



Tel. +021-5111-3828 | Fax. +021-5111-3828  
上海市长宁区中山西路933号2205室



Tel. +34 91 072 62 27 | <https://dentiseurope.com>  
Travesía C. Doctor Fleming, 16



Tel. +351 21 2696 700 | <https://dentisportugal.com>  
Taguspark, Av. Prof. Dr. Cavaco Silva C1 Piso 2B, 2740-120 Porto Salvo

All information published in this paper is subject to change according to policy without prior notice.  
Copyright © DENTIS Co., LTD.

Dentis Official SNS

**INSTAGRAM**  
[instagram.com/dentis\\_official](https://www.instagram.com/dentis_official)

**FACEBOOK**  
[facebook.com/dentisofficial](https://www.facebook.com/dentisofficial)

**YOUTUBE**  
[youtube.com/@dentiskorea](https://www.youtube.com/@dentiskorea)

Inquiries | 1899-2804



# LUVIS CHAIR

'LUVIS' The Excellence





# Global Standard, LUVIS



## LUVIS - The Brand

LUVIS, a globally recognized brand with a presence in over 80 countries, proudly holds the title of South Korea's top-selling and unrivaled shadow-less surgical light brand. We are excited to announce the launch of the LUVIS CHAIR, a unit chair that represents the culmination of 15 years of extensive research and development. This innovation is backed by a wealth of clinical data and insights, making it a truly remarkable addition to our product lineup.



## LUVIS CHAIR

The LUVIS CHAIR, featuring ergonomic design, is versatile enough to accommodate a range of clinical settings, benefiting both practitioners and patients. This integrated chair, equipped with unparalleled technologies, is not only dedicated to ensuring patient comfort and safety but also focuses on enhancing clinician convenience and aesthetic appeal.

Slim  
yet Strong



## Technology

The Hybrid LED System integrated into the LUVIS Light not only conserves energy and minimizes heat emissions but also offers multiple functions. These functions include the ability to control variations in color temperature and light pattern size, enabling precise evaluations and diagnoses for each distinct and unique case.



### LUVIS LIGHT C700

A medical light equipped in LUVIS CHAIR C Class. With an impressive illumination level of 50,000 lx and broad optical patterns, the LUVIS Light effectively minimizes shadowing and achieves a high Ra value of 95 or more in Colour Rendering Index (CRI). This not only reduces eye fatigue during treatment but also enhances accuracy. Additionally, it offers practical features including a resin mode, a proximity sensor switch, and detachable handles, all designed with infection control measures in mind to prevent cross-infection.

\*In the color rendering index (CRI) value, Ra means average color rendering and the CRI of natural light is 100.



### LUVIS LIGHT C500 CAMERA

A medical treatment light equipped in LUVIS CHAIR E Class C500 boasts a remarkable set of features. It achieves a high Ra value of 95 or more, offers three color temperatures with excellent Color rendering Index (CRI), and provides an impressive illumination of 50,000lx. Notably, the built-in Full High-Definition (FHD) High-resolution camera enables crystal-clear and precise video recording and playback of treatment procedures. This feature provides exceptionally convenient for patient counselling and communication.

\*High Quality(FHD, Full High Definition)



### LUVIS LIGHT S300

An operating light equipped additionally with C700 in LUVIS CHAIR S Class. S 300 offers an impressive brightness of 130,000lx, delivering an exceptional shadow-less effect. With its high color rendering capability (Ra : 95 / R9 : 96), it minimizes eye fatigue during surgery and allows practitioners to easily distinguish periodontal tissue from blood. Additionally, the intuitive control panel for accessing features and menus ensures user-friendly operation of the light.

\*In the color rendering index (CRI) value, R9 means the reproduction value of the red index.



### LUVIS LIGHT S300 CAM

It's a surgical light applied together with c700 on the Luvis Chair S Class+.

This provides the highest brightness with 130,000lx and a shadow-less effect. Recording is possible with an FHD high-resolution camera inside the light, and video clips can help improve the reliability of surgery procedures.



### LUVIS LIGHT M400

It's a large-size surgical light applied for LUVIS Chair M Class and features the best shadow-less effect with 140,000lx brightness and a hybrid optical system.

It gives higher colour rendering RA 97, and R9 97, and it revises the value of luminous intensity automatically with the smart sensor even if something hides the surgical points.

This is the most optimized large-size surgical light on surgical circumstances with an intuitive handling panel which provides 4 stages of color temperature controlling and 5 pattern-size corrections.

## Comfort

The generously sized backrest, designed to offer comprehensive support for the entire body, guarantees patient comfort and effectively reduces fatigue during extended procedures.



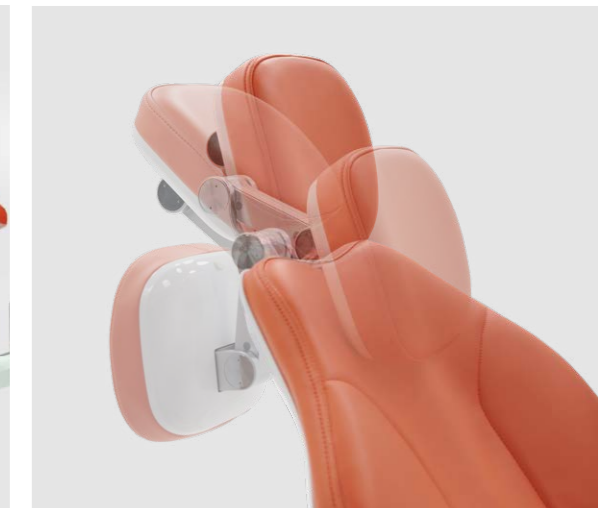
### Z-type vertical operation

The design is meticulously tailored to cater to various patient conditions, ensuring easier access and release, while also allowing for precise adjustment of chair heights to accommodate different types of operations and suit the preferences of individual practitioners.



### Tilting function

The segmented movements of the chair's backrest and seat effectively prevent slippage and ensure that patients maintain a consistently comfortable position during the reclining of the chair.

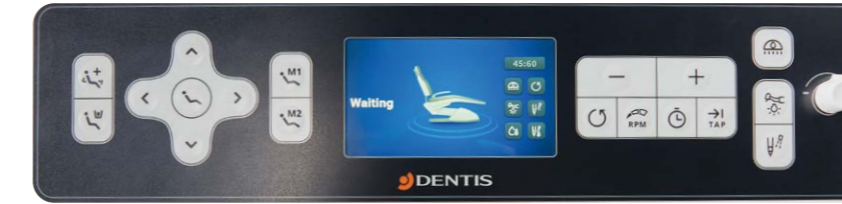
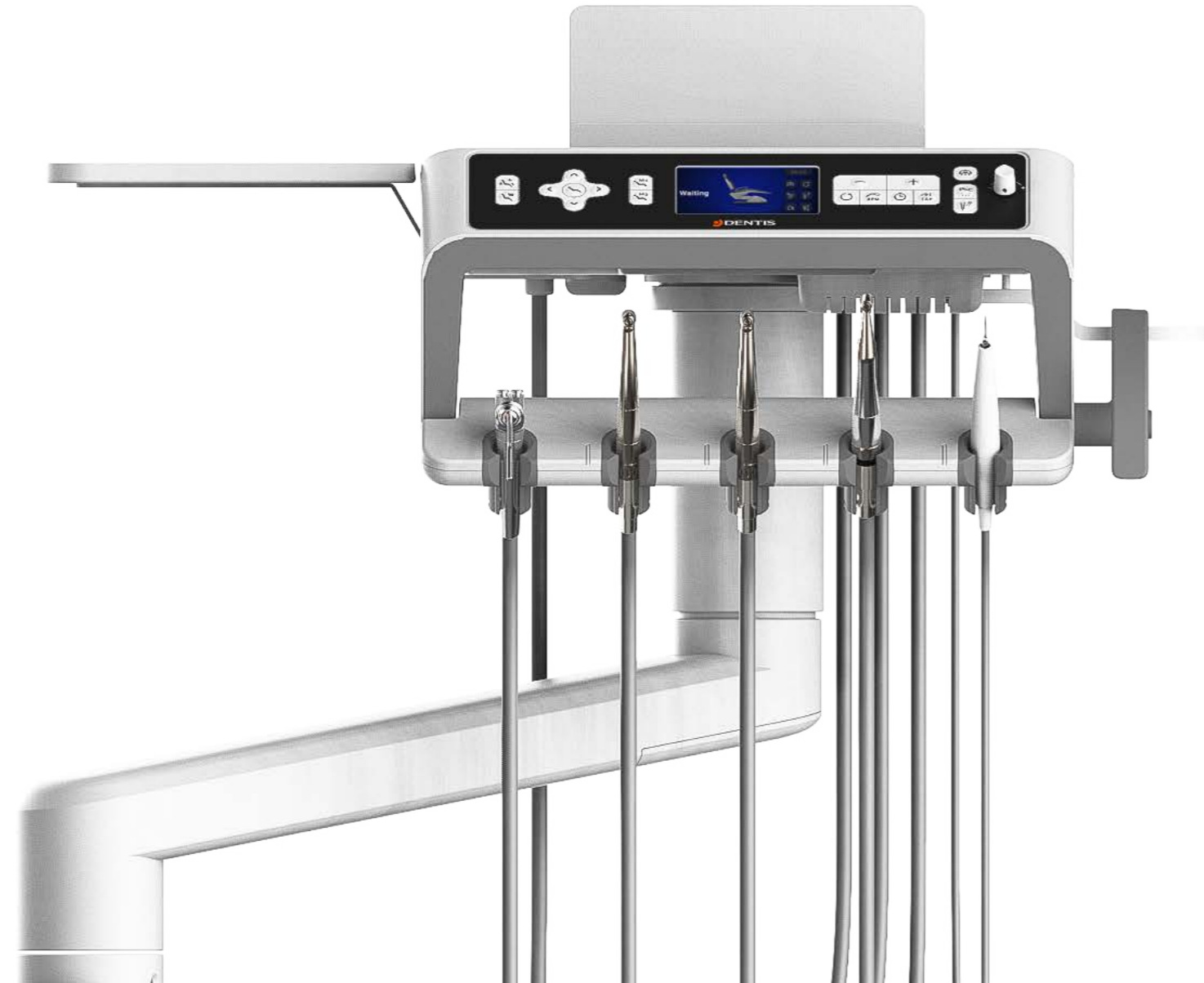


### 2-joint headrest

Thanks to a range of angle adjustments, our chair accommodates patients of all sizes, including adults, children, and individuals with disabilities, ensuring that they can all receive treatment comfortably and securely in a stable position.

# Convenience

Thoughtfully designed to offer a more convenient and functional experience for practitioners.



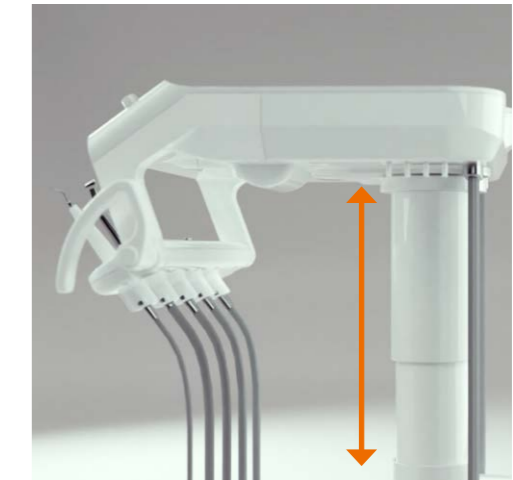
## Intuitive User Interface

The menu buttons for chair operation are thoughtfully organized for intuitive and user-friendly use.



## Wide (Extended) Doctor Table

The addition of an extendable doctor's table enhances the practitioner's ability to perform procedures smoothly and efficiently by reducing instrument cluster and improving instrument visibility.



## Motorized Height Adjustment

An electric motor, situated at the base of the table, enables convenient and stable height adjustments for the table, even when dealing with heavy loads.

# Safety

Designed to prevent various accidents that may occur during treatments.



## Smart Instrument Holder

The instrument holder's angle can be adjusted to the user's preference, thereby preventing accidental stabbings and ensuring safe treatment.



## Obstacle Sensor System

In the event of an object being detected underneath the chair while it is lowering, the chair will automatically halt its descent and rise to prevent any potential accidents.



## Pain Notification Button

Strategically positioned beneath the handle, this feature allows patients to readily communicate their discomfort without causing any disruption or hindrance to ongoing procedures.



## Rotatable Spitton

The rotating cuspidor enhances patient comfort during gargling. Additionally, a safety mode activates when the patient pulls the cuspidor, instantly stopping the chair's movement to prevent accidents.



## Odor Backflow Prevention System

Foul odors will be effectively contained to maintain a clean and hygienic environment for treatments.

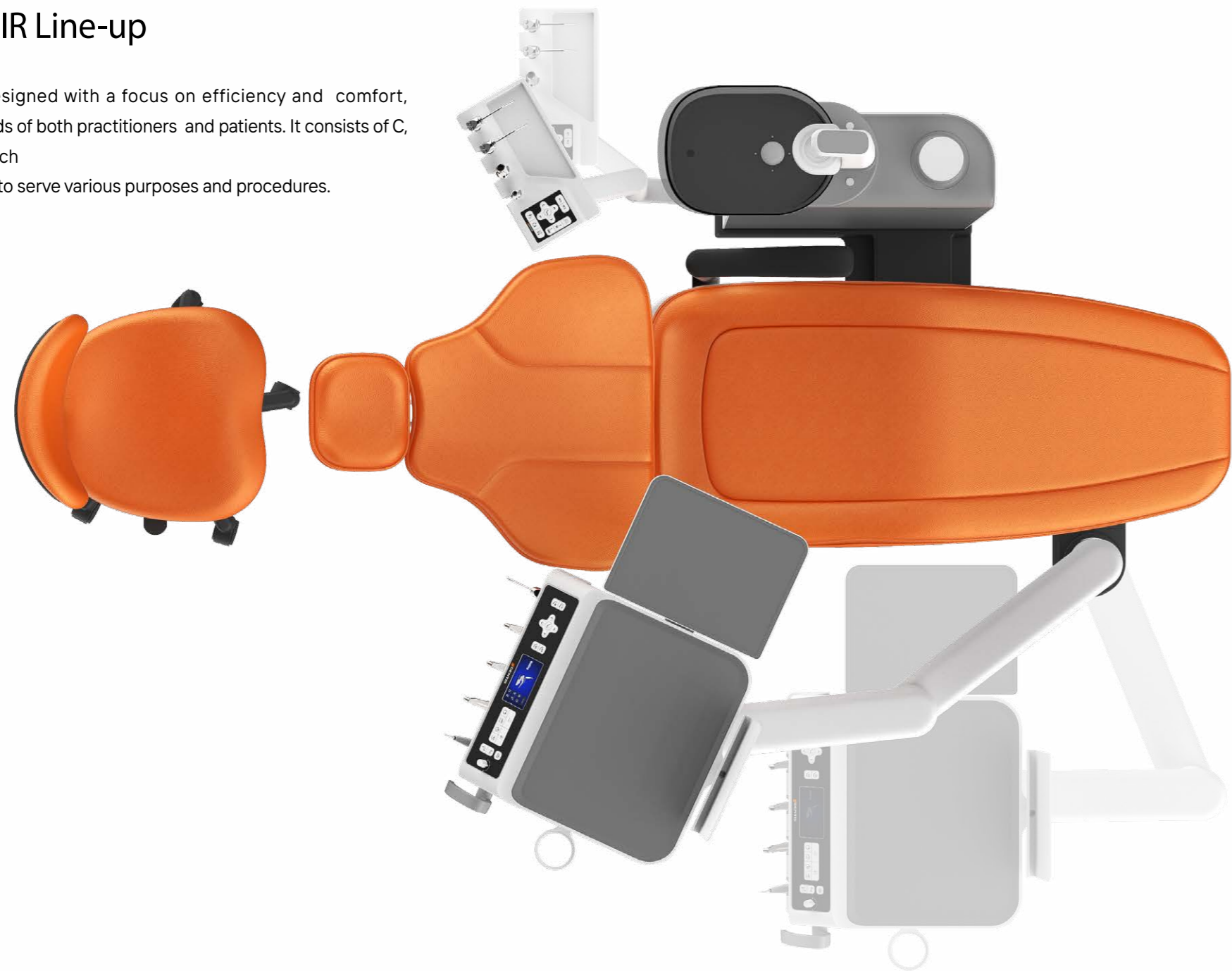


## Washable Suction Filter

The washable filter is a superb feature for maintaining hygiene and cleanliness.

## LUVIS CHAIR Line-up

The lineup was designed with a focus on efficiency and comfort, catering to the needs of both practitioners and patients. It consists of C, E, and S Classes, each specifically crafted to serve various purposes and procedures.



## C Class

"C" stands for CLINIC

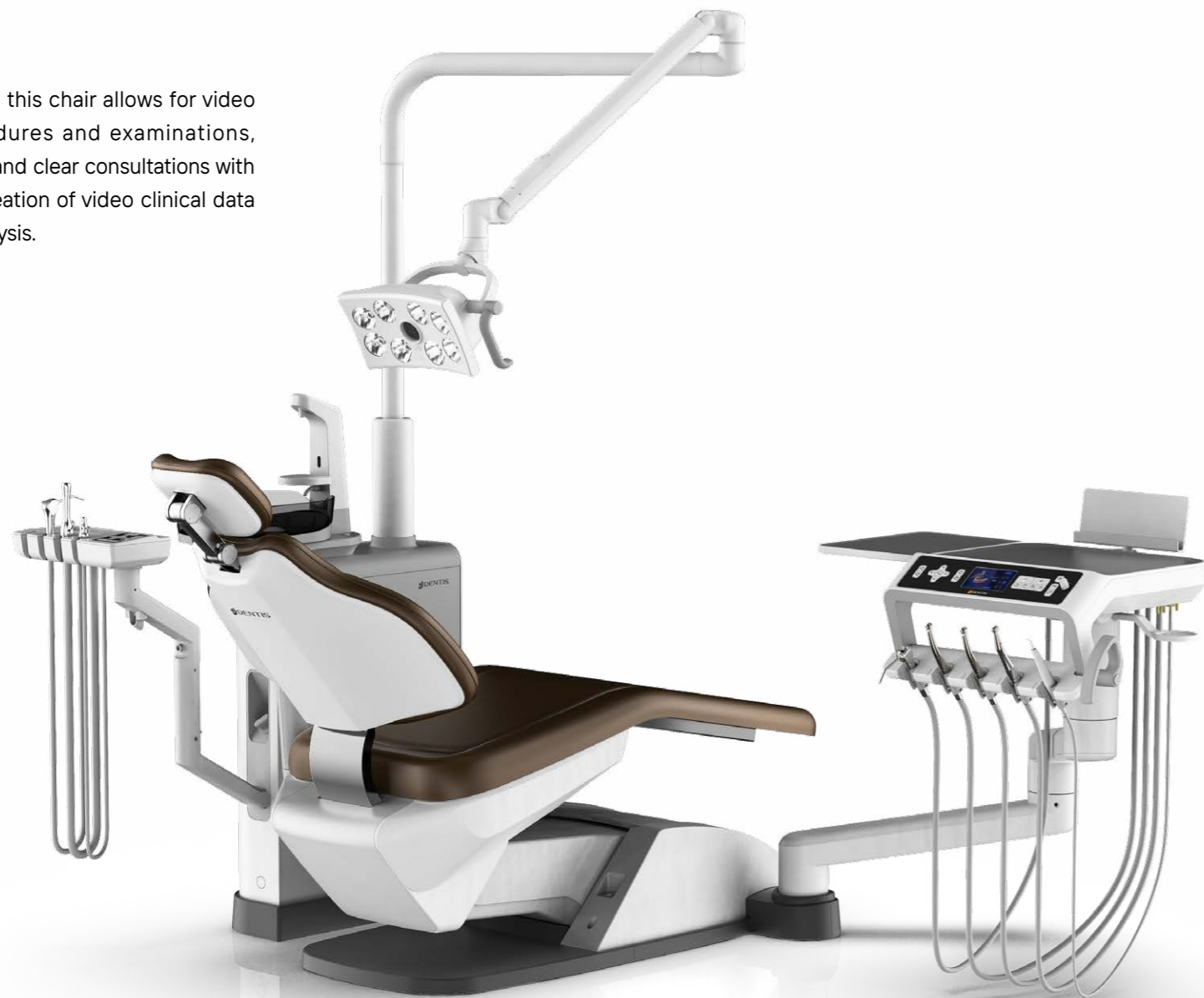
This is the standard model of the LUVIS CHAIR, complete with the LUVIS C700 surgical light, offering essential functions tailored to meet the requirements of general dental clinics.



## E Class

"E" stands for EXAMINATION

Featuring the LUVIS C500 CAMERA, this chair allows for video recording and playback of procedures and examinations, facilitating improved communication and clear consultations with patients. Moreover, it enables the creation of video clinical data for enhanced documentation and analysis.



## S Class

"S" stands for SURGERY

This top-of-the-line LUVIS CHAIR model boasts a double cushion seat and is equipped with dual operating lights, among other premium features. The dual light system, comprising the LUVIS C700 and S300, is meticulously designed to enhance the surgical environment by delivering outstanding color rendering and an impeccable shadow-less light effect.



## S Class+

This is the surgery-specialized chair equipped with S300 CAM and C700 light.

This can be used in various ways, including producing surgical videos and counselling materials in addition to the supreme performance of the the Luvis S300.



## M Class

the "M" means the master, and it's a premium-grade surgery-specialized chair including the Luvis M400.

It provides the best shadow-less effect and enhanced colour-rendering performance for optimized surgical circumstances.



# LUVIS CHAIR Line-up

C Class



E Class



S Class



S Class+



M Class



# Specification

Basic	●
Option	○

C Class			
Light	1	LUVIS LIGHT C700	●
	2	LUVIS LIGHT C500 CAMERA	○
	3	LUVIS LIGHT S300	○
	4	LUVIS LIGHT S300 CAMERA	○
	5	LUVIS LIGHT M400	○
Unit Chair	6	Doctor Table	●
	7	Assist Table	●
	8	Monitor Arm	●
	9	Cesspit Hanger	●
	10	Compact Console	●
	11	Chart Stand	●
	12	Double Cushion Seat	○
	13	Instrument Hot Water System	○
	14	Dry Air Syringe	○
	15	Water Pipe Washing System	○
Hand piece	16	Odor Backflow Prevention Trap	○
	17	Helper System	○
	18	High Speed 1 : Optional	○
	19	High Speed 2 : Optional	○
	20	Low Speed : Optional	○
	21	Scaler : Dmetec Compact S	●
Stool	22	Doctor Stool	●
	23	Assist Stool	○

E Class			
Light	1	LUVIS LIGHT C700	○
	2	LUVIS LIGHT C500 CAMERA	●
	3	LUVIS LIGHT S300	○
	4	LUVIS LIGHT S300 CAMERA	○
	5	LUVIS LIGHT M400	○
Unit Chair	6	Doctor Table	●
	7	Assist Table	●
	8	Monitor Arm	●
	9	Cesspit Hanger	●
	10	Compact Console	●
	11	Chart Stand	●
	12	Double Cushion Seat	○
	13	Instrument Hot Water System	○
	14	Dry Air Syringe	○
	15	Water Pipe Washing System	○
Hand piece	16	Odor Backflow Prevention Trap	○
	17	Helper System	○
	18	High Speed 1: Optional	○
	19	High Speed 2 :Optional	○
	20	Low Speed: Optional	○
	21	Scaler: Dmetec Compact S	●
Stool	22	Doctor Stool	●
	23	Assist Stool	○

Basic	●
Option	○

S Class			
Light	1	LUVIS LIGHT C700	●
	2	LUVIS LIGHT C500 CAMERA	○
	3	LUVIS LIGHT S300	●
	4	LUVIS LIGHT S300 CAMERA	○
	5	LUVIS LIGHT M400	○
Unit Chair	6	Doctor Table	●
	7	Assist Table	●
	8	Monitor Arm	●
	9	Cesspit Hanger	●
	10	Compact Console	●
	11	Chart Stand	●
	12	Double Cushion Seat	●
	13	Instrument Hot Water System	●
	14	Dry Air Syringe	●
	15	Water Pipe Washing System	○
16	Odor Backflow Prevention Trap	○	
17	Helper System	○	
Hand piece	18	High Speed 1: Optional	○
	19	High Speed 2 :Optional	○
	20	Low Speed: Optional	○
	21	Scaler: Dmetec Compact S	●
Stool	22	Doctor Stool	●
	23	Assist Stool	○

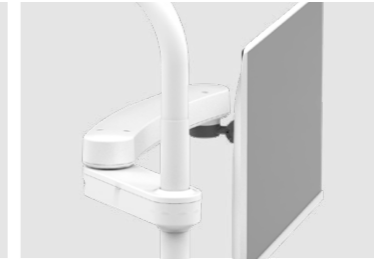
S Class +			
Light	1	LUVIS LIGHT C700	●
	2	LUVIS LIGHT C500 CAMERA	○
	3	LUVIS LIGHT S300	○
	4	LUVIS LIGHT S300 CAMERA	●
	5	LUVIS LIGHT M400	○
Unit Chair	6	Doctor Table	●
	7	Assist Table	●
	8	Monitor Arm	●
	9	Cesspit Hanger	●
	10	Compact Console	●
	11	Chart Stand	●
	12	Double Cushion Seat	●
	13	Instrument Hot Water System	●
	14	Dry Air Syringe	●
	15	Water Pipe Washing System	○
16	Odor Backflow Prevention Trap	○	
17	Helper System	○	
Hand piece	18	High Speed 1: Optional	○
	19	High Speed 2 :Optional	○
	20	Low Speed: Optional	○
	21	Scaler: Dmetec Compact S	●
Stool	22	Doctor Stool	●
	23	Assist Stool	○

M Class			
Light	1	LUVIS LIGHT M400	●
Unit Chair	2	Doctor Table	●
	3	Assist Table	●
	4	Monitor Arm	●
	5	Cesspit Hanger	●
	6	Compact Console	●
	7	Chart Stand	●
	8	Double Cushion Seat	●
Hand piece	9	Instrument Hot Water System	●
	10	Dry Air Syringe	●
	11	Water Pipe Washing System	○
	12	Odor Backflow Prevention Trap	○
	13	Helper System	○
Stool	14	High Speed 1: Optional	○
	15	High Speed 2 :Optional	○
Stool	16	Low Speed: Optional	○
	17	Scaler: Dmetec Compact S	●
Stool	18	Doctor Stool	●
	19	Assist Stool	○

## Standard



Compact Console



Monitor Arm



Doctor Stool

## Select Type



Floor Mount



Cart

## Option



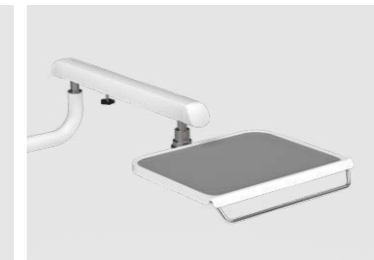
Assist Stool



Water Pipe Washing System



Monitor 27" / 43"(Including Stand)



Surgical Table



Water Pipe Washing System



Dry Air Syringe



Instrument Hot Water System



Helper System



Double Cushion Seat



Electric Motor Set

# Instruments

## AIR-DRIVEN HIGH SPEED(Sae-shin)



**CAB10LK Optic**  
Φ 16.3 x W 119.1 mm (HEAD : Φ 11.2 x H 13.55 mm)

**CP10LK MULTI flex KAVO**  
Max. 440,000 rpm



**CAB10LN Optic**  
Φ 16.5 x W 102.7 mm (HEAD : Φ 11.2 x H 13.55 mm)

**CP10LN NSK-PTL LED**  
Max. 440,000 rpm



**ATN400 NON-OPTIC**  
Φ 15.2 x W 121 mm (HEAD : Φ 11.2 x H 13.55 mm)

**CP10NQ QD**  
Max. 440,000 rpm



**CAB20ND M4 NON-OPTIC DIRECT-CONNECT**  
Φ 14.7 x W 116 mm (HEAD : Φ 11.2 x H 13.55 mm) Max. 440,000 rpm



**CAB20ND B2 NON-OPTIC DIRECT-CONNECT**  
Φ 14.7 x W 116 mm (HEAD : Φ 11.2 x H 13.55 mm) Max. 440,000 rpm

## 1:1 LOW SPEED ANGLE

### AT-II

- Straight Handpiece
- Max 35,000 rpm
- Ergonomic Design
- Autoclavable
- HP Bur(Φ2.35)



### ACL(B)-04C MINI HEAD

- Button type
- Max 35,000 rp
- Ergonomic Design
- Autoclavable
- CA Bur(Φ2.35)



### ACL(B)-01C

- Button type
- Max 35,000 rp
- Ergonomic Design
- Autoclavable
- CA Bur(Φ2.35)



## Scaler

Product Name : Compact S (dmetec)



\*Optic option available

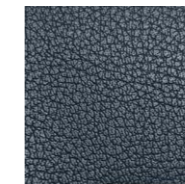
# Colors



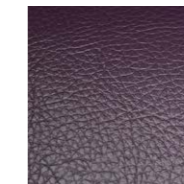
Orange



Dark Brown



Dark Blue



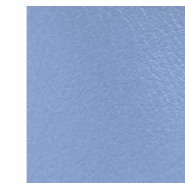
Dark Violet



Blue



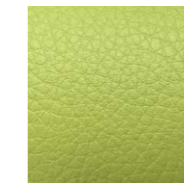
Gold



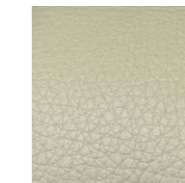
Sky Blue



Red



Light Green



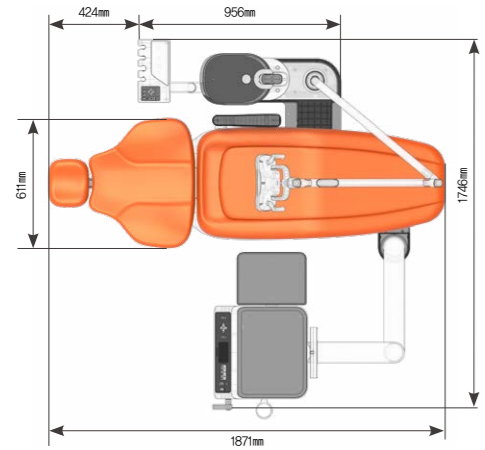
Cream



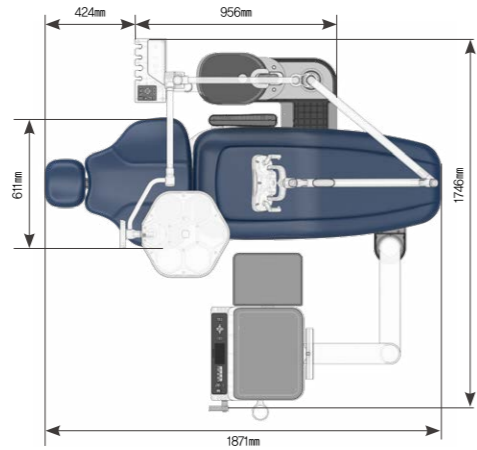
Black

# Dimension

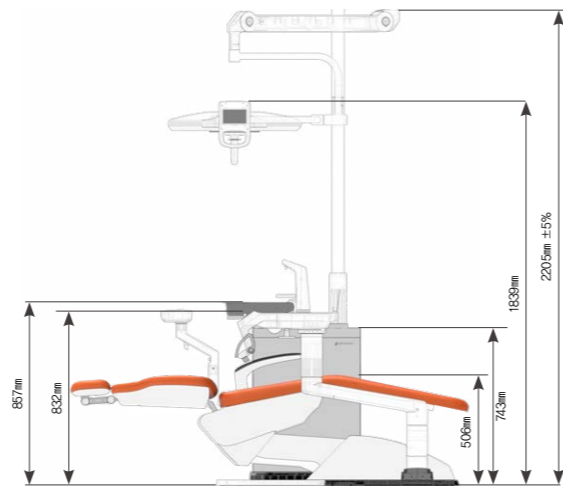
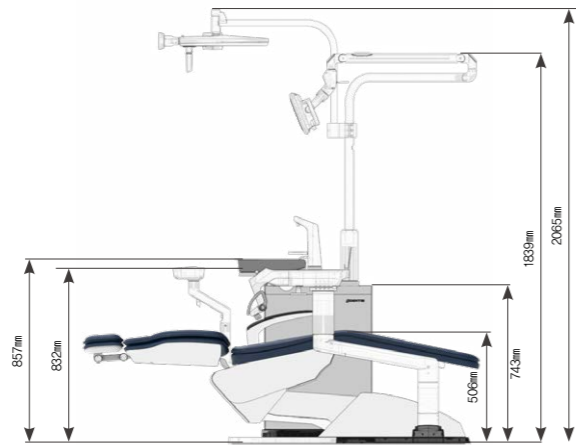
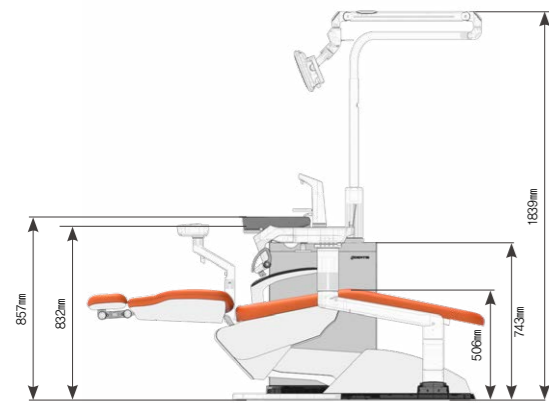
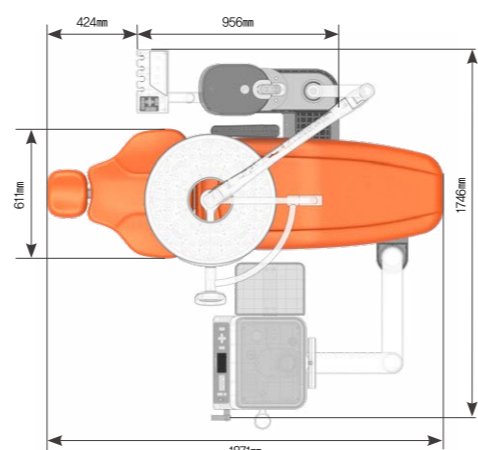
C Class / E Class



S Class / S Class+



M Class



# LUVIS CHAIR

'LUVIS' The Excellence